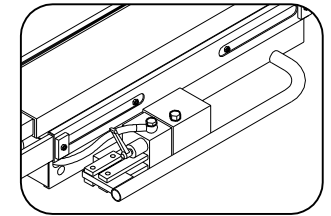
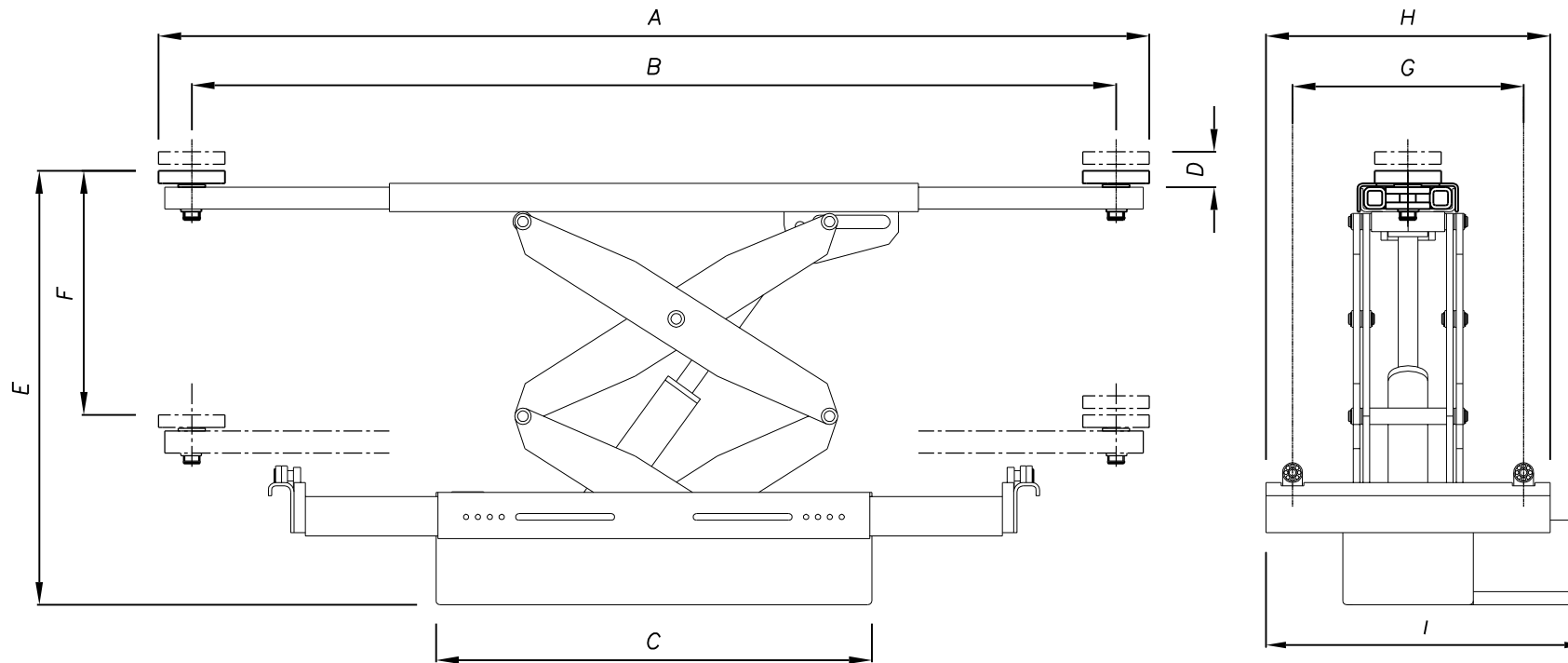
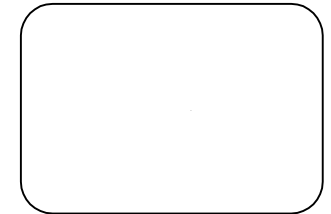




JACKING BEAMS



Pompa manuale
 Pompe manuelle
 Manual pump
 Handpumpe



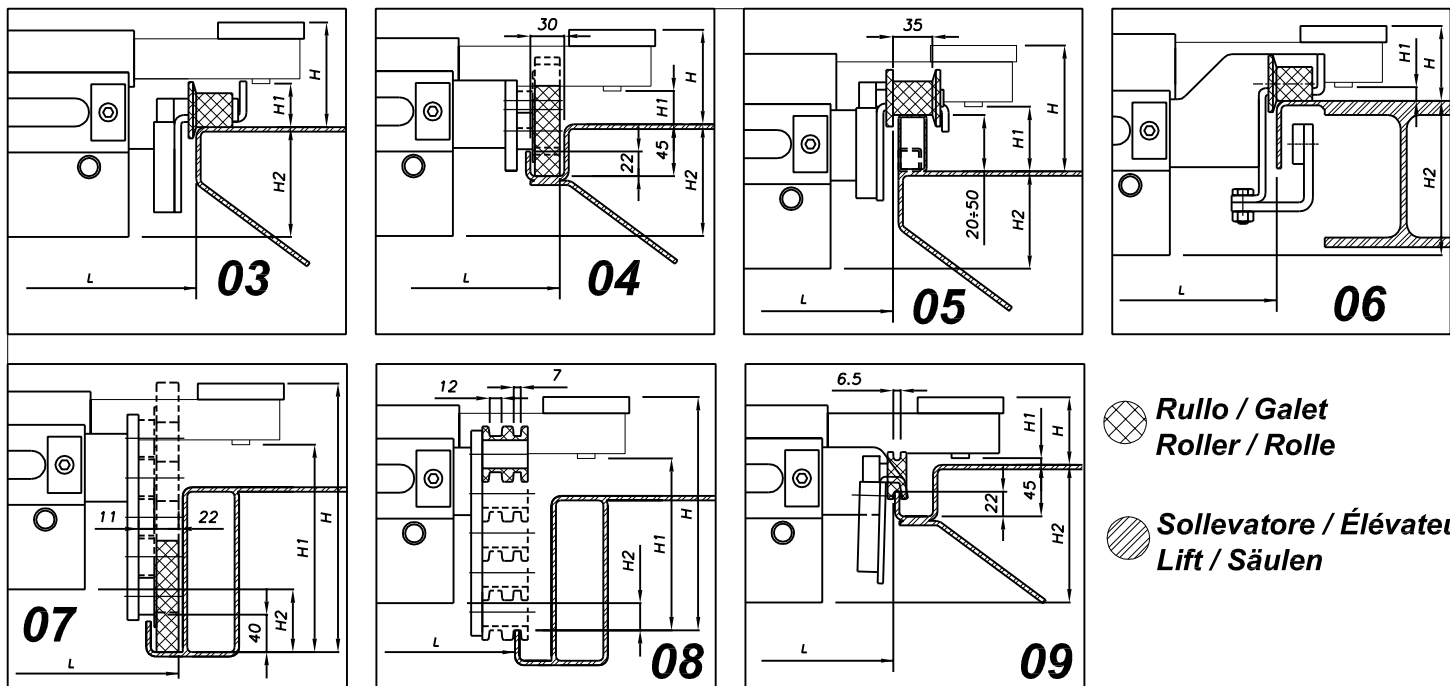
Pompa pneumatica
 Pompe pneumatique
 Pneumatic pump
 Pneumatischer Pumpe

	Capacity	A	B	C	D	E	F	G max	H max	I max
	kg	mm	mm	mm	mm	mm	mm	mm	mm	mm
541B-541BA	1600	935/1625	810/1500	660	30/60	215/505	290	370	460	520
542-542A	2000	935/1625	810/1500	660	30/60	245/680	435	370	460	520
542B-542BA	2000	935/1625	810/1500	660	30/60	215/505	290	370	460	520
542R-542RA	3000	935/1725	810/1600	660	30/60	255/690	435	370	460	520
542SR-542SRA	3000	935/1725	810/1600	660	30/60	220/500	280	370	460	520
542SRL-542SRLA	3000	935/1725	810/1600	800	30/60	220/500	280	370	460	520
542T-542TA	3000	1025/1725	900/1600	670	30/60	195/475	280	495	535	630
543-543A	4000	935/1625	810/1500	760	30/60	260/585	325	390	490	585
544A	6000	960/1620	840/1500	870	30/60	295/615	320	540	620	660



Traverse idraulica - Hydraulic jacking beam
Traverse hydraulique - Hydraulischer Scherenheber

Mod. 541B - 541BA - 542 - 542A - 542B - 542BA - 542R - 542RA - 542SR
524SRA - 542SRL - 542SRLA - 542T - 542TA - 543 - 543A - 544A



MODEL	L (mm)	H (mm)	H1 (mm)	H2 (mm)
541B.03-541BA.03	755÷1140	86	6	125
541B.04-541BA.04	790÷1160	85÷113	3÷33	131÷103
541B.05-541BA.05	725÷1090	106	24	110
541B.06-541BA.06	860÷1200	86	6	125
541B.07-541BA.07	775÷1125	114÷268	37÷191	127÷ -57
541B.08-541BA.08	775÷1105	83÷236	1÷1513	134÷ -20
541B.08-541BA.09	700÷1070	86	6	125

MODEL	L (mm)	H (mm)	H1 (mm)	H2 (mm)
542.03-542A.03	775÷1140	88	6	155
542.04-542A.04	790÷1160	86÷114	4÷32	157÷129
542.05-542A.05	725÷1090	108	26	135
542.06-542A.06	860÷1200	88	6	155
542.07-542A.07	775÷1125	118÷272	36÷190	155÷ -29
542.08-542A.08	755÷1105	82÷235	0÷153	162÷8
542.09-542A.09	700÷1070	85	5	150

MODEL	L (mm)	H (mm)	H1 (mm)	H2 (mm)
542B.03-542BA.03	775÷1140	90	10	125
542B.04-542BA.04	790÷1160	89÷117	7÷37	131÷103
542B.05-542BA.05	725÷1090	110	28	110
542B.06-542BA.06	860÷1200	90	10	125
542B.07-542BA.07	775÷1125	118÷272	41÷195	127÷ -57
542B.08-542BA.08	755÷1105	87÷240	5÷155	134÷ -20
542B.09-542BA.09	700÷1070	90	10	142

MODEL	L (mm)	H (mm)	H1 (mm)	H2 (mm)
542R.03-542RA.03	775÷1140	98	16	154
542R.04-542RA.04	790÷1160	96÷124	14÷42	156÷128
542R.05-542RA.05	775÷1140	108	26	144
542R.06-542RA.06	860÷1200	98	16	154
542R.07-542RA.07	775÷1125	130÷284	48÷202	152÷ -32
542R.08-542RA.08	755÷1105	93÷247	11÷165	159÷5
542R.09-542RA.09	700÷1070	85	5	168

MODEL	L (mm)	H (mm)	H1 (mm)	H2 (mm)
542SR.03-542SRA.03	775÷1140	88	6	132
542SR.04-542SRA.04	790÷1160	84÷112	2÷30	136÷108
542SR.05-542SRA.05	775÷1140	97	15	123
542SR.06-542SRA.06	860÷1200	88	6	132
542SR.07-542SRA.07	775÷1125	97÷250	15÷168	154÷ -30
542SR.08-542SRA.08	755÷1105	103÷257	21÷175	117÷ -37
542SR.09-542SRA.09	700÷1070	85	5	136

MODEL	L (mm)	H (mm)	H1 (mm)	H2 (mm)
542SRL.03-542SRLA.03	890÷1180	88	6	132
542SRL.04-542SRLA.04	896÷1196	84÷112	2÷30	136÷108
542SRL.04L-542SRLA.04L	916÷1282	84÷112	2÷30	136÷108
542SRL.05-542SRLA.05	890÷1178	97	15	123
542SRL.06-542SRLA.06	890÷1264	88	6	132
542SRL.07-542SRLA.07	892÷1160	97÷250	15÷168	154÷ -30
542SRL.08-542SRLA.08	835÷1140	103÷257	21÷175	117÷ -37
542SRL.09-542SRLA.09	825÷1115	82	2	138
542SRL.09L-542SRLA.09L	910÷1257	82	2	138

MODEL	L (mm)	H (mm)	H1 (mm)	H2 (mm)
542T.03-542TA.03	745÷1145	85	5	125
542T.05-542TA.05	715÷1115	110	28	90
542T.07-542TA.07	770÷1170	118÷272	41÷195	98÷ -60
542T.08-542TA.08	750÷1155	87÷240	5÷155	115÷ -39
542T.09-542TA.09	730÷1130	85	5	115

MODEL	L (mm)	H (mm)	H1 (mm)	H2 (mm)
543.05-543A.05	790÷1150	128÷158	46÷76	132÷102
543.06-543A.06	865÷1225	105	23	155
543.07-543A.07	860÷1250	149÷303	67÷221	111÷ -43
543.08-543A.08	840÷1230	112÷266	30÷184	148÷ -6

MODEL	L (mm)	H (mm)	H1 (mm)	H2 (mm)
544A.05	950÷1300	106÷136	38÷68	160÷130
544A.06	950÷1300	86	18	180
544A.07	966÷1304	125÷285	40÷200	158÷ -2

Suitable for

03	526LT – 526ALT – 526LTJC (standard models)
	522 – 522A – 522AL – 522B – 522BL (special version for UK market or without rail)
	526 – 526A (special version for UK market or without rail old models until 07/2010)
	526B (special version for UK market or without rail old models until 09/2013)
04 04L	521L – 524 – 524ALT – 524BLT - 524JC – 524SR – 524SRJC – 526C – 526BLV – 526BL5 - 526JC – 526JCB – 526JCL5 – 526JCBL5 – 526L5 – 527R – 533 – 533B – 533JC – 533G - 533GB – 533EJC – 533JC – 533K – 533KB
	526 – 526A (new models from 07/2010)
	526LT – 526ALT – 526LTJC (when supplied with optional inner rail)
	526B (new models from 09/2013)
05	520 – 521 – 522 – 522A – 522AL – 522B – 522BL – 523 – 526B
	526 – 526A (old standard models until 07/2010)
	526B (old standard models until 09/2013)
06	528 – 528C – 529
07 08	For other marques lifts (to be verified prior order with our technical office)
9 09L	521L – 524 – 524ALT – 524BLT - 524JC – 524SR – 524SRJC – 526C – 526BLV – 526BL5 - 526JC – 526JCB – 526JCL5 – 526JCBL5 – 526L5 – 527R – 533 – 533B – 533JC – 533G - 533GB – 533EJC – 533JC – 533K – 533KB – 533R – 533RAT
	526 – 526A (new models from 07/2010)
	526LT – 526ALT – 526LTJC (when supplied with optional inner rail)
	526B (new models from 09/2013)